

## GHC-30H Sliding Door Latch With Indicator

### Features

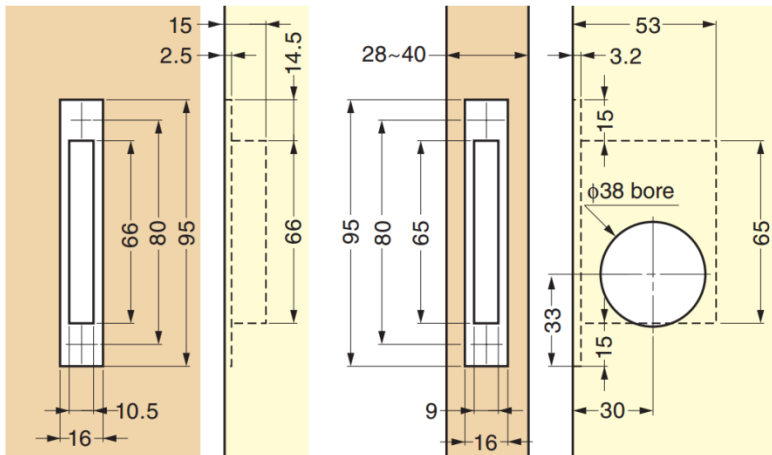
- Ideal for harsh and high corrosion environments
- Sliding door latch with indicator
- Easy installation, flat and compact design for various applications
- Can be unlocked from outside in case of emergency

### Material

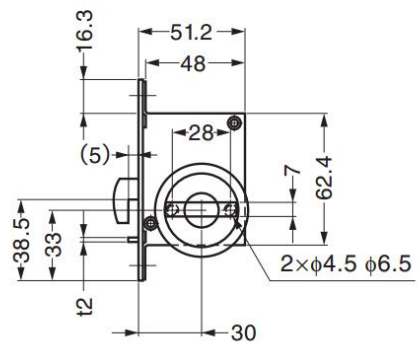
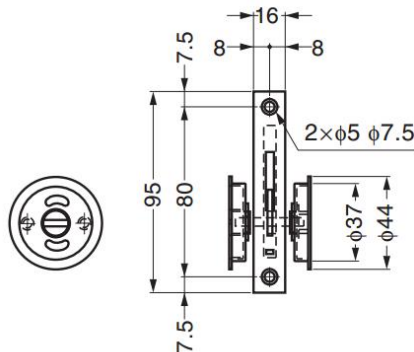
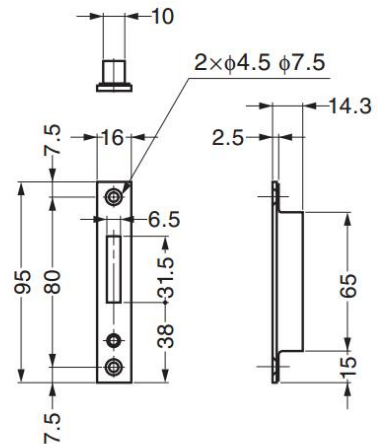
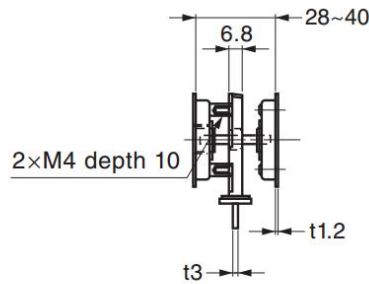
- Stainless steel 304, satin finish

### Parts Included

- Countersunk head wood screw 3.5×20 (SUS)



From outside



Part No.	Door Thickness
GHC-30H	28 ~ 40